

Automation Tips

For Hamilton Star/Starlet/Nimbus Workstations

I. APPLICATIONS

Widely used in the needs of high-throughput: Pipetting in genomics, proteomics, cytomics, immunoassays, metabolomics, and biopharmaceuticals.

II. FEATURES

1. Compatible with Hamilton Star/Starlet/Nimbus workstations.
2. Made of medical grade polypropylene, clear tips.
3. Made in Bioclean room.
4. DNase & RNase Free, Non-Pyrogen.
5. Electron beam sterilization: SAL 10⁻⁶, safe and fast, without chemical residue.

III. FILTER TIPS DESIGN

1. 50µl, 300µl, and 1000µl tips available.
2. Racked package.
3. Filters eliminate errors caused by saturation vapor pressure.

IV. DESCRIPTION-Hot Products

Cat. No.	Description
AH23-0050S	50µl clear filter tips, 50.4mm, rack pack, sterile. 96 Pieces/Rack, 24 Racks/Case
AH23-0050CS	50µl conductive black filter tips, 50.4mm, rack pack, sterile. 96 Pieces/Rack, 24 Racks/Case
AH23-0300S	300µl clear filter tips, 60mm, rack pack, sterile. 96 Pieces/Rack, 24 Racks/Case
AH23-0300CS	300µl conductive black filter tips, 60mm, rack pack, sterile. 96 Pieces/Rack, 24 Racks/Case
AH23-1000S	1000µl clear filter tips, 95mm, rack pack, sterile. 96 Pieces/Rack, 24 Racks/Case
AH23-1000CS	1000µl conductive black filter tips, 95mm, rack pack, sterile. 96 Pieces/Rack, 24 Racks/Case

All available: Sterile/non-sterile, low-retention/non low-retention.

V. STERILITY

1. Optional

VI. CERTIFICATION

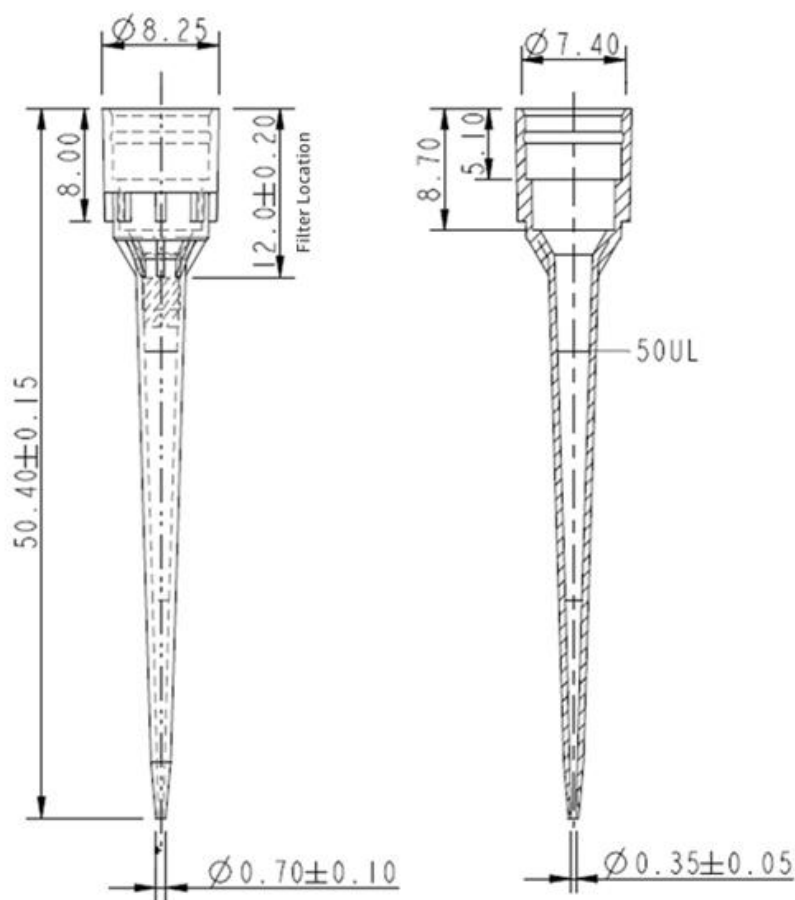
Biologix products are manufactured completely according to the TUV ISO 9001:2008 standard.

VII. RESTRICTIONS

Refer to the Chemical Resistance Chart in our catalog, and available within our online catalog

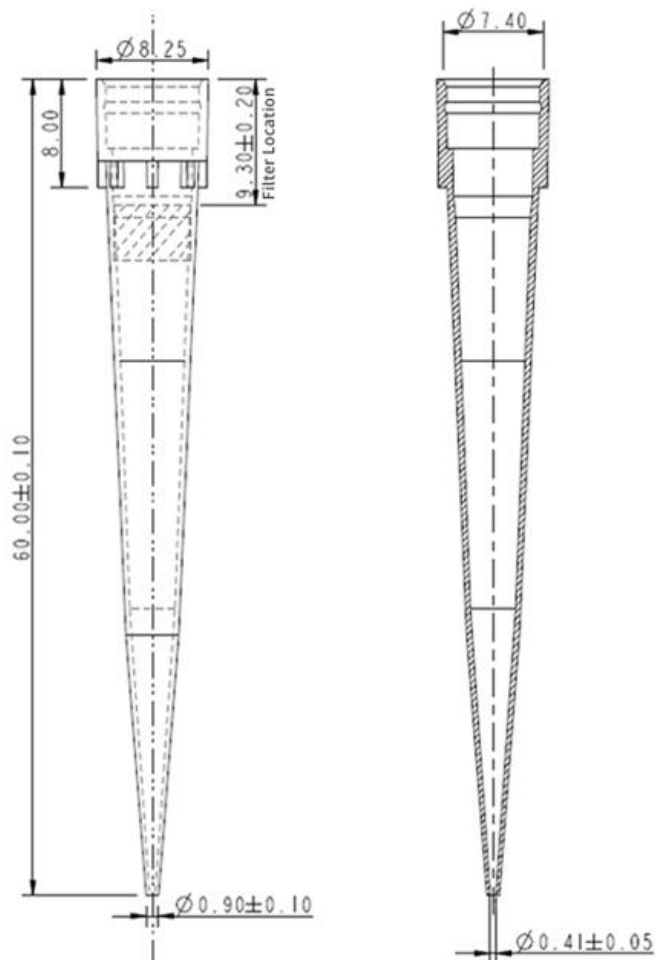
VIII. PRODUCT PARAMETER

Dimensions=mm

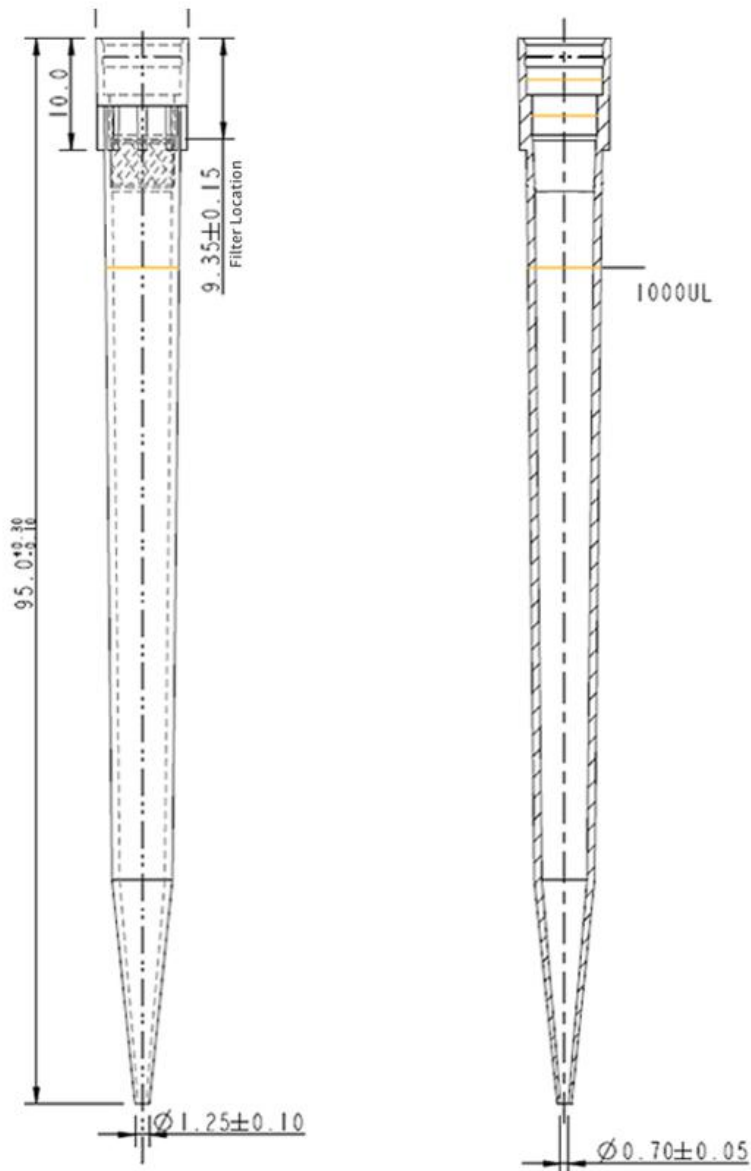


50ul-With Filter

50ul-Without Filter



300ul-With Filter 300ul-Without Filter



1000ul-With Filter 1000ul-Without Filter

